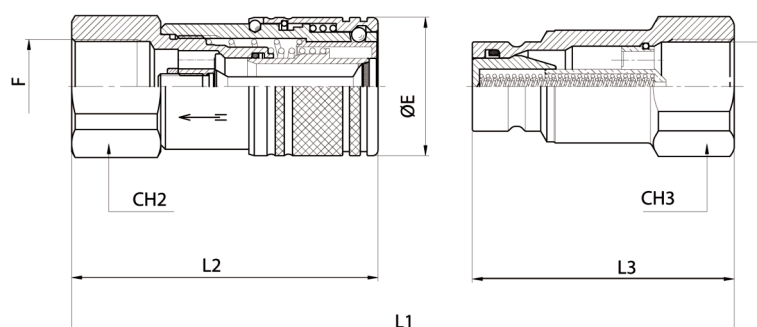


Flat Face Couplings - CAM FF(F/M) Series

ISO 16028

HYDRAULIC COMPONENTS



Technical Data

Characteristics:

Flat mating surfaces easily wiped clean to prevent contamination and spillage during connection/disconnection. Connection is made by pushing the male coupling and disconnection by pulling back the sleeve of the female. Positive, quick connection of the male into the female by the latching ball system. Shut-off by flat valve.

Threads:

BSP
NPT on request

Material:

Female and male coupling in steel, with some stressed tempered or carbonitrided areas. Springs in AISI and C98 steel, seals in polyurethane and NBR. Other materials (VITON, EPDM or any others) on request.

Operating and Burst Pressures:

See table below.

Working Temperature:

-30°C up to +110°C

(for other temperatures the coupling is assembled with the specified seals)

Special Requests:

For assistance, contact our technical office.

Size	ISO	Dimensions			Thread Size	Carrier Half Part Number	Probe Half Part Number			
		CH2	CH3	øE						
1/4	6.3	24	22	28	104.6	63.6	52.1	1/4	CAM FFF 0404	CAM FFM 0404
3/8	10	27	27	32	121.5	74.9	62.5	3/8	CAM FFF 0606	CAM FFM 0606
3/8	10	27	27	32	127.5	77.9	65.5	1/2	CAM FFF 0608	CAM FFM 0608
1/2	12.5	34	34	38	144.1	86.7	74.5	3/4	CAM FFF 0812	CAM FFM 0812
3/4	19	41	41	48	178.7	108.9	91.5	1	CAM FFF 1216	CAM FFM 1216

Body Size	ISO	Working Pressure Dynamic (bar)	Rated Flow at 2 bar of pressure drop (L/min)	Thread Size	Min. Burst Pressure			Fluid Spillage (cc)
					Male (bar)	Female (bar)	Coupled (bar)	
1/4	6.3	320	15	1/4	1600	1400	1500	0.005
3/8	10	250	53	3/8	1350	1250	1500	0.007
3/8	10	250	53	1/2	1350	1250	1500	0.007
1/2	12.5	250	98	3/4	1050	1100	1400	0.008
3/4	19	250	174	1	1050	1000	1200	0.009

